

<b>1. Input</b>	
SDI input	3G-SDI/HD-SDI x 4 BNC 75Ω
HDMI input	HDMI 1.4 x 2 Type A
Active pixel	3840 x 2160, 1920 x 1080
Frame frequency	60Hz/59.94Hz/50Hz/30Hz/29.97Hz/25Hz/24Hz/23.98Hz
Scan mode	progressive
<b>2. Output</b>	
HDMI output	HDMI 2.0 x 4 Type A Single/Dual/Quad selectable
Active pixel	3840 x 2160
Frame frequency	60Hz/59.94Hz/50Hz/30Hz/29.97Hz/25Hz/24Hz/23.98Hz
Scan mode	progressive
<b>3. Video signal</b>	
4K up conversion	Input : SDI or HDMI (1920 x 1080p) / Output 4K HDMI
Sampling	YCbCr/RGB, 4:2:0/4:2:2/4:4:4, 8bit/10bit/12bit (Sampling can be convert)
Color space	Rec. ITU-R BT.2020 and BT.709 are selectable.
<b>4. Audio signal</b>	
Audio format	L-PCM *HDMI (Depend on the input form)
Audio channel	8ch
Sampling	16bit/20bit/24bit
Sampling frequency	SDI input : 48kHz HDMI input : 32kHz/44.1kHz/48kHz/88.2kHz/96kHz/192kHz (Depend on the input)
<b>5. Remote</b>	LAN (10/100BASE-T)
<b>6. General</b>	AC90~240V 50/60Hz 150VAmax 426 (W) x 44 (H) x 500 (D) mm Approx 10kg
<b>7. Options</b>	Rack mount adapter, HDMI cable clamp attachment



**ShibaSoku**

# VB4000

## 4K HDMI CONVERTER



- 4K SDI to 4K HDMI conversion
- 1080p SDI/HDMI to 4K HDMI up conversion
- HDMI 2.0, HDCP 2.2



<http://www.asaca.co.jp> E-mail: [sales@asaca.co.jp](mailto:sales@asaca.co.jp)

Contact Us International Sales Division  
3-2-8, Asahigaoka, Hino-shi, Tokyo 191-0065 Japan Tel: +81-42-583-1211 Fax: +81-42-586-9000

## VB4000 4K HDMI Converter

### General

VB4000 is 4K HDMI 2.0 converter. 4K Signal is composed of HDMI 2.0 output signals.

SDI(3G-SDI/HD-SDI) or HDMI signal convert to 4K HDMI2.0 signal.

4K SDI(3G-SDI Dual, Quad and HD-SDI Quad) signal convert to 4K HDMI2.0 signal.

1920 x 1080p(SDI or HDMI1.4) signal up convert to 4K HDMI 2.0 signal.

It can utilize facilities of HDMI1.4 effectively.

It can control on TG4000 by having access to LAN by the combination with TG4000 4K test signal generator.

### Features

- HDMI output support 4K/60Hz, 6Gbps.
- HDCP2.2
- 4K 3G-SDI(Dual/Quad) signal convert to 4K HDMI2.0 signal.
- 4K HD-SDI(Quad) signal convert to 4K HDMI2.0 signal.
- 1920 x 1080p SDI signal up convert to 4K HDMI2.0 signal.
- 1920 x 1080p HDMI 1.4 signal up convert to 4K HDMI2.0 signal.
- HDMI output is selectable (Single/Dual/Quad Link).
- YCbCr/RGB, 4:2:0/4:2:2/4:4:4, 8bit/10bit/12bit sampling conversion function.
- Rec. ITU-R BT.2020/BT.709 color space conversion.
- Audio 8ch
- Remote by PC (Web remote).
- TG4000 can be control VB4000 (LAN connection).
- Housing is 1U.

### Back view



HDMI output

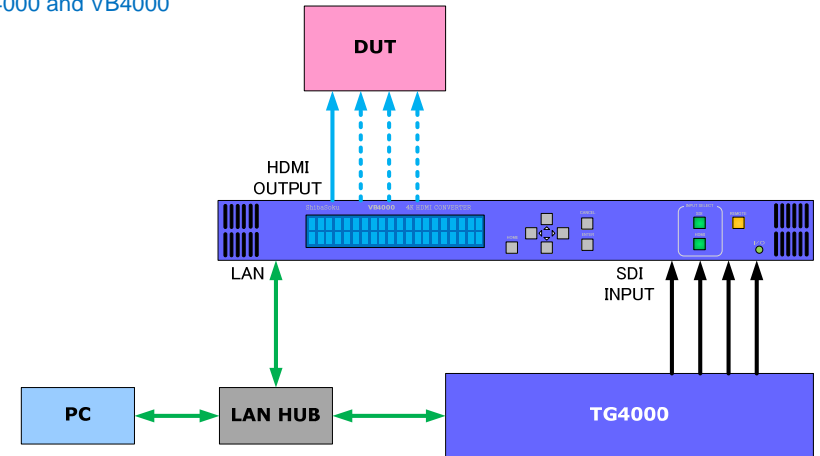
HDMI input

SDI input

## VB4000 4K HDMI Converter

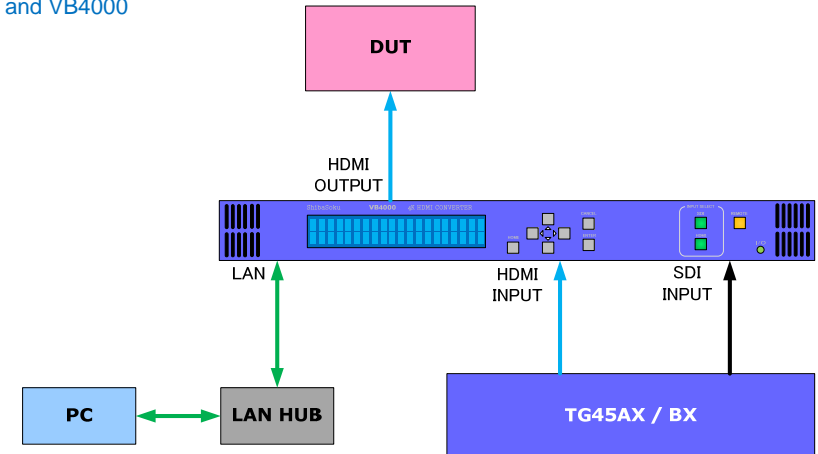
### Connection

#### TG4000 and VB4000



- 1)TG4000 (3G-SDI x 4) 4K signal convert to HDMI2.0 4K signal.
- 2)HDMI output, Single, Dual and Quad are selectable.
- 3)TG4000 can be control VB4000 (LAN connection).
- 4)Remote by PC (Web remote)

#### TG45 and VB4000



- 1)TG45 SDI 1080p signal up convert to 4K HDMI signal.
- 2)TG45 HDMI 1080p signal up convert to 4K HDMI2.0 signal.
- 3)Input SDI and HDMI are selectable.
- 4)Remote by PC (Web remote)